



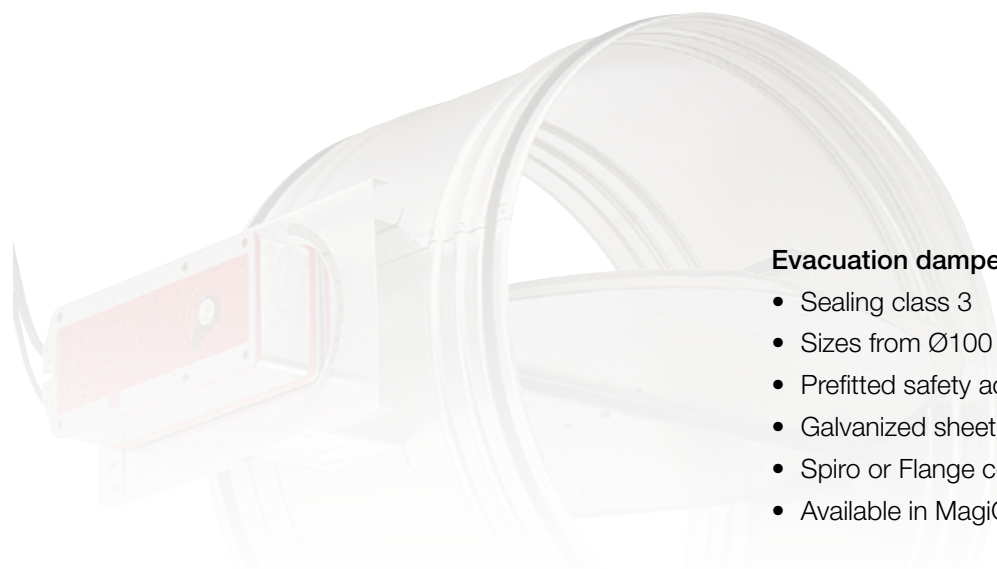
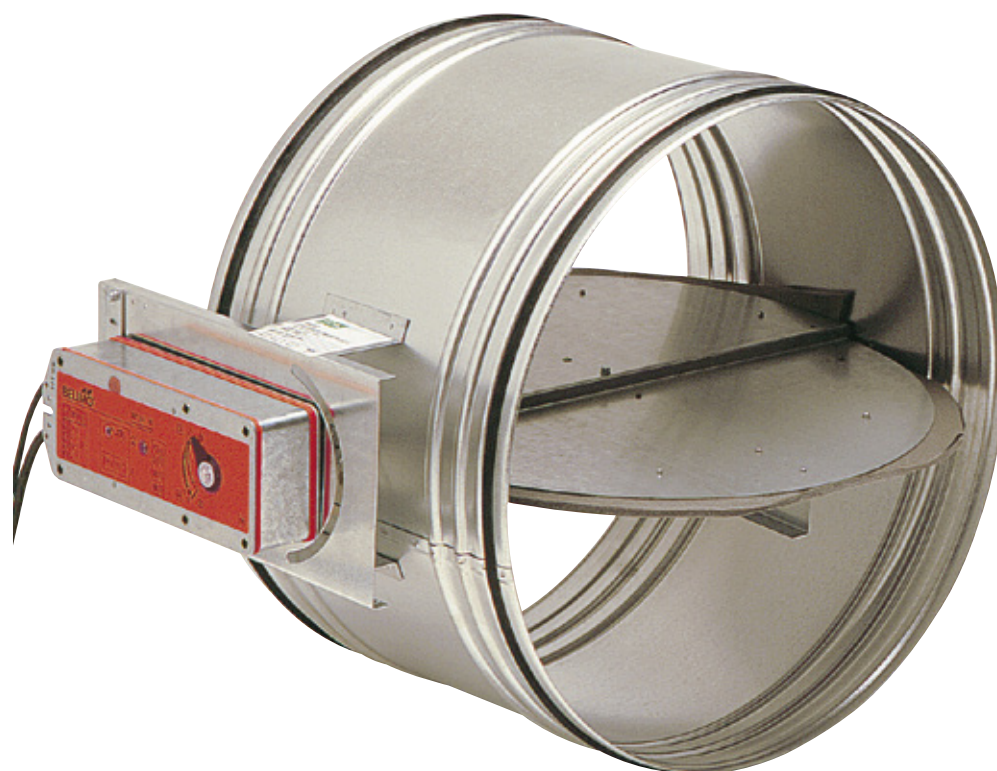
Bevent Rasch

- Fire -

RAEC

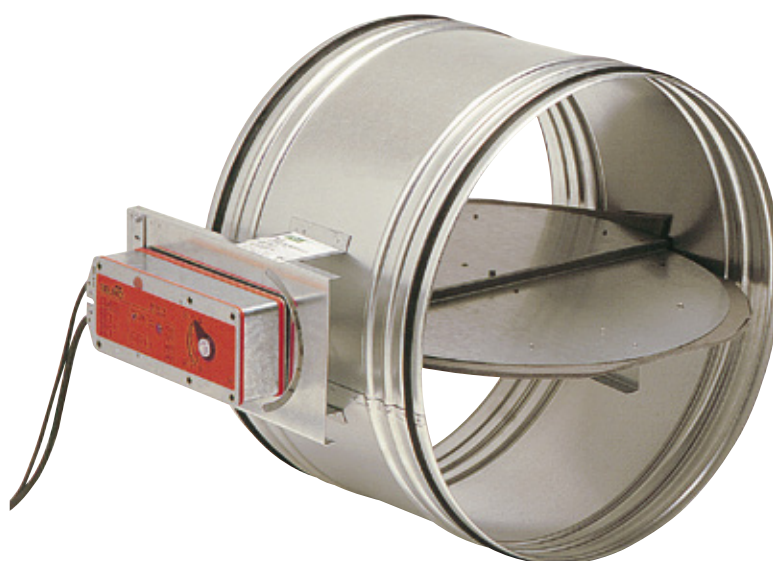


11/04/2017



Evacuation damper RAEC, circular

- Sealing class 3
- Sizes from Ø100 mm to 630 mm
- Prefitted safety actuator 24V or 230V
- Galvanized sheet steel or Stainless steel
- Spiro or Flange connection
- Available in MagiCAD



Quick facts

- Sealing class 3
- Sizes from Ø100 mm to 630 mm
- Prefitted safety actuator 24V or 230V
- Galvanized sheet steel or Stainless steel
- Spiro or Flange connection
- Available in MagiCAD

Use

Type approved evacuation dampers for evacuating smoke gas which is permitted to come into the duct system and then be exhausted via fire relief ducts. Also used as a bypass damper for air treatment plant.

Type approval no. 0096

Size

Ø100 – 630 mm. For larger sizes than 630 mm, RAEC is used with sleeve coupling BRAS.

Design

The evacuation damper is supplied ready for insulation, complete with an installed, maintenance free 24 V electric actuator (unless otherwise specified), which has built in signal contacts to indicate damper position. Spiro or flange connection.

Material and surface finish

The housing and components are made of hot galvanized sheet steel, to environmental class C3. For higher environmental classes, alternative materials can be offered.

Actuator

The evacuation damper is supplied as standard with an electric 24V two-position safety actuator with spring return, energized open. The 24V actuator is always used in conjunction with the MRB monitoring system. The dampers can also be supplied with a 230V electrical actuator. Note that evacuation dampers are always supplied with an actuator so that type approval shall apply.

General

All data refers to standard versions of dampers.

Accessories

RCKB	Junction box
RCDU	MRB system, max 2 dampers
RCBK4	MRB system, max 4 dampers
RCMU8	MRB system, max 8 dampers
RCKD/-RD	Smoke detectors
RCTU/RCTC	MRB3 system, max 236 dampers

Specification

Example:

Evacuation damper RAEC - 250 - 1 - 1 - 1

Size

Nom. diameter Ød, mm

Connection

Spiro = 1

Flange = 2

Material

Galvanized sheet steel = 1

Stainless AISI 3041 – EN 1.4301 = 2

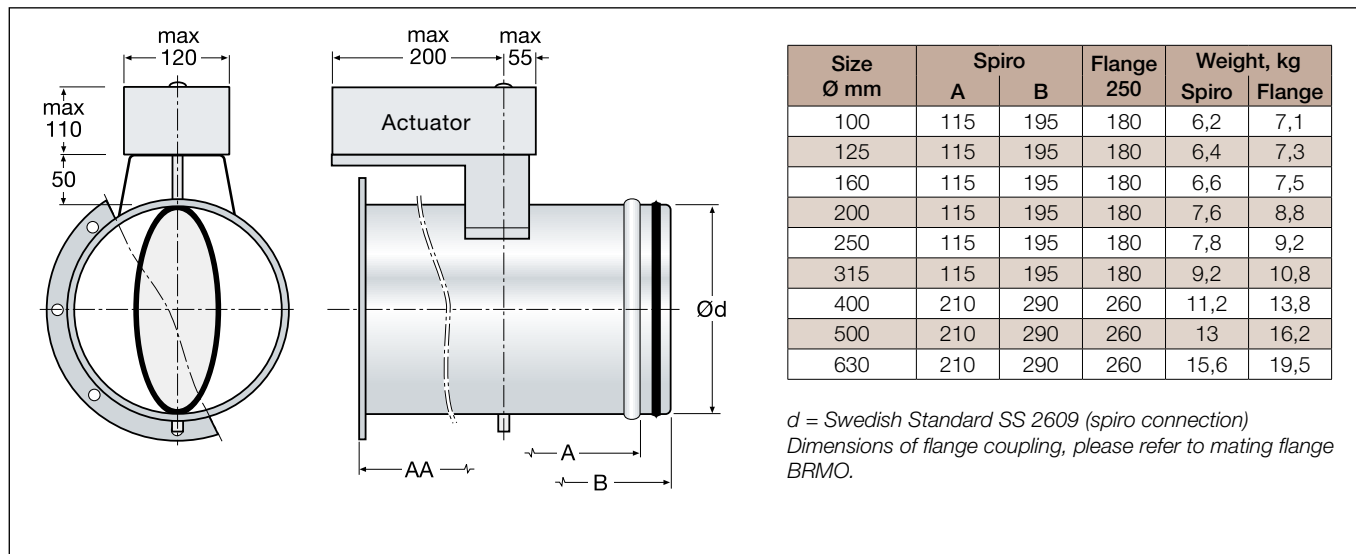
Stainless AISI 316L – EN 1.4404 = 3

Actuator

Electric, 24V = 1

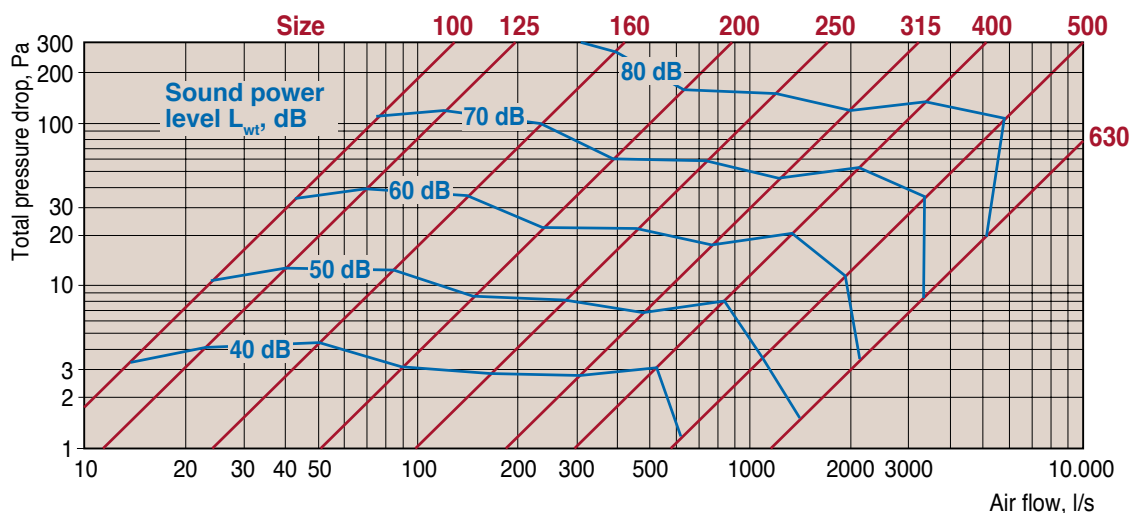
Electric, 230V = 3

Dimensions and weight



Dimensioning diagram

The diagrams show the pressure drop for the damper installed in a duct.



Sound data

Correction of sound power level, L_{Wok} in octave band

$$L_{Wok} = L_{Wt} + K_{ok}$$

Correction, K_{ok} at 90° opening angle

Dimension Ø mm	Centre frequency Hz							
	63	125	250	500	1000	2000	4000	8000
100	-5	-5	-8	-13	-21	-29	-35	-39
125	-6	-6	-7	-15	-19	-26	-36	-27
160	-5	-5	-8	-14	-17	-24	-32	-28
200	-5	-6	-8	-15	-21	-24	-26	-30
250	-4	-7	-9	-14	-20	-21	-23	-23
315	-4	-7	-11	-15	-20	-22	-25	-22
400	-5	-7	-11	-16	-20	-23	-23	-24
500	-3	-9	-14	-18	-19	-22	-29	-25
630	-3	-10	-16	-20	-21	-20	-20	-23
Tol. ± dB	2	2	2	2	2	2	2	2

