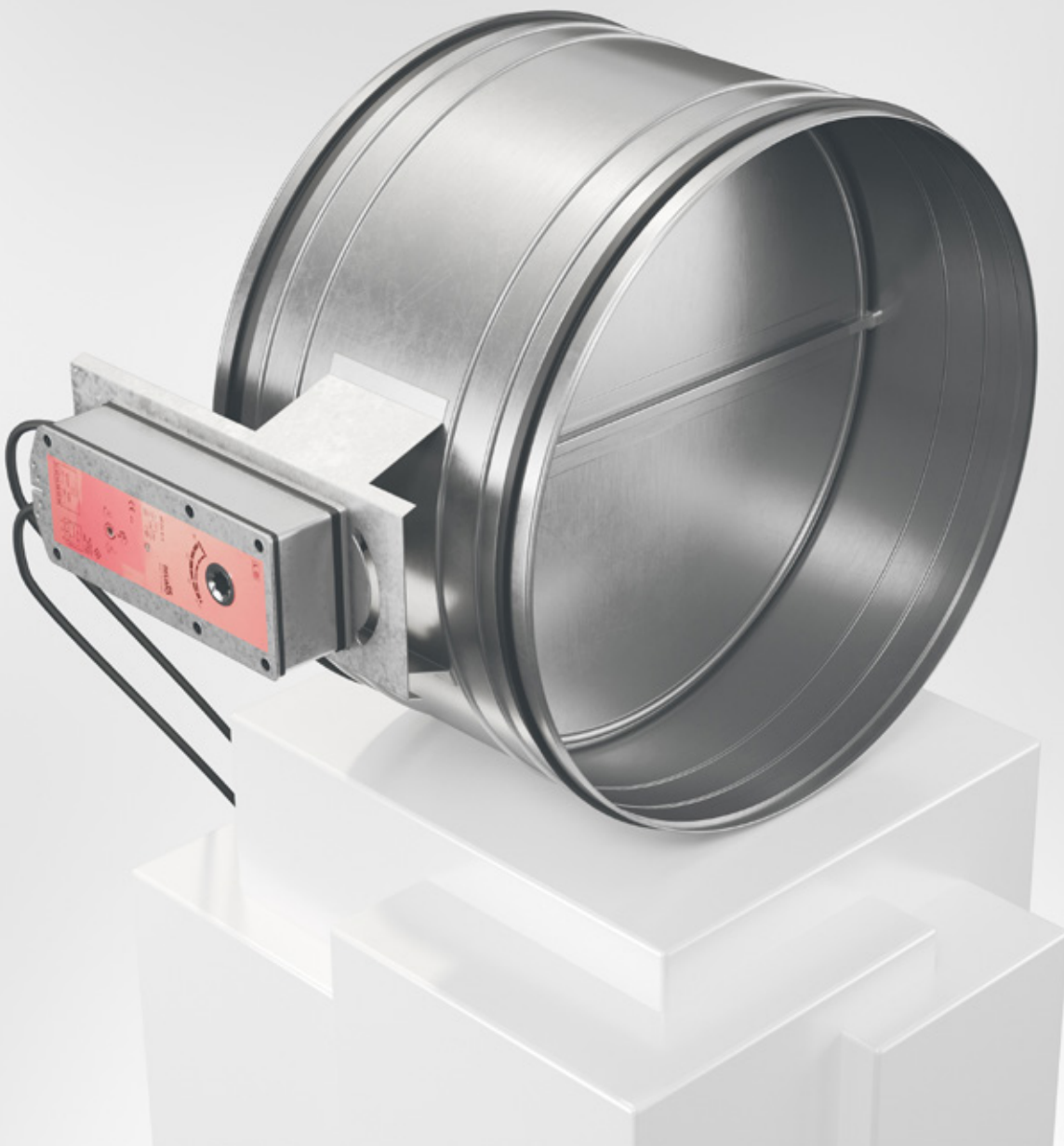


RAEC

Circular evacuation damper



FIRE SAFETY



01/09/2021

www.bevent-rasch.com



BEVENT RASCH

AIR SOLUTIONS – FOR A BETTER TOMORROW



Quick facts

- Sealing class 3
- Sizes from Ø100 mm to 630 mm
- Prefitted safety actuator 24V or 230V
- Galvanized sheet steel or Stainless steel
- Spiro or Flange connection
- Available in MagiCAD

Use

Type approved evacuation dampers for evacuating smoke gas which is permitted to come into the duct system and then be exhausted via fire relief ducts. Also used as a bypass damper for air treatment plant.

Type approval no. 0096

Size

Ø100 – 630 mm. For larger sizes than 630 mm, RAEC is used with sleeve coupling BRAS.

Design

The evacuation damper is supplied ready for insulation, complete with an installed, maintenance free 24 V electric actuator (unless otherwise specified), which has built in signal contacts to indicate damper position. Spiro or flange connection.

Material and surface finish

The housing and components are made of hot galvanized sheet steel, to environmental class C3. For higher environmental classes, alternative materials can be offered.

Actuator

The evacuation damper is supplied as standard with an electric 24V two-position safety actuator with spring return, energized open. The 24V actuator is always used in conjunction with the MRB monitoring system. The dampers can also be supplied with a 230V electrical actuator. Note that evacuation dampers are always supplied with an actuator so that type approval shall apply.

General

All data refers to standard versions of dampers.



Accessories

| | |
|------------------------|------------------------------|
| RCKB | Junction box |
| RCDU | MRB system, max 2 dampers |
| RCBK4 | MRB system, max 4 dampers |
| RCMU8 | MRB system, max 8 dampers |
| RCKD/-RD | Smoke detectors |
| RCTU/RCTC | MRB3 system, max 236 dampers |
| FENIX2 | max 2 dampers |
| FENIX4 / FENIX+ | max 16 dampers |

Specification

Example:
Evacuation damper RAEC - 250 - 1 - 1 - 1

Size
Nom. diameter Ød, mm _____

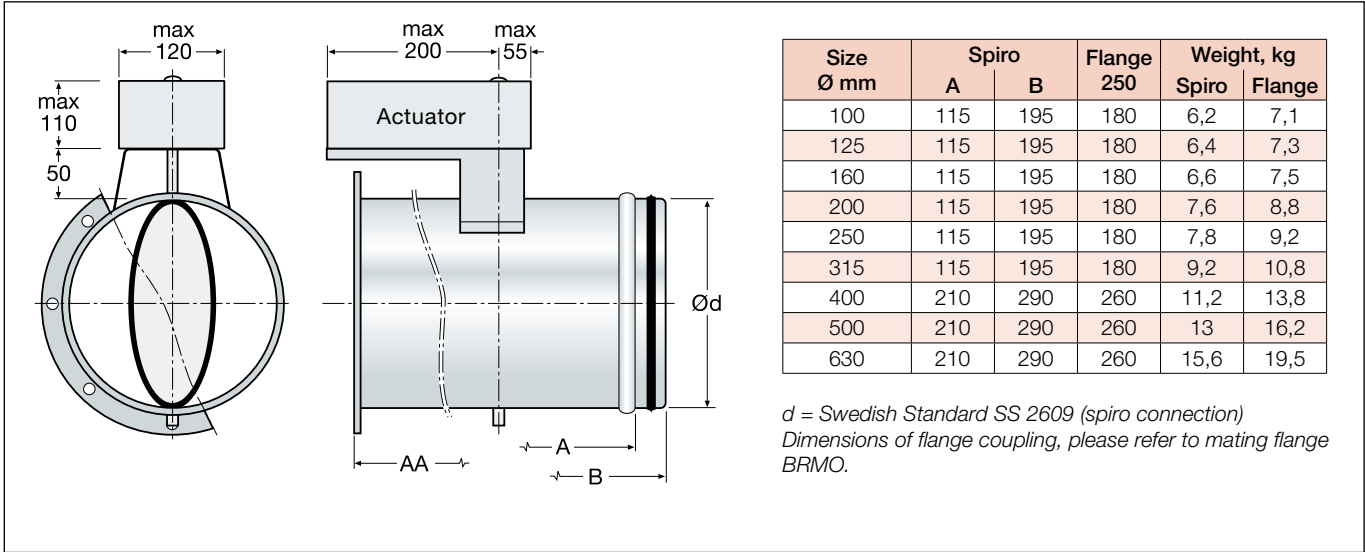
Connection
 Spiro = 1 | _____
 Flange = 2 | _____

Material
 Galvanized sheet steel = 1 | _____
 Stainless AISI 3041 – EN 1.4301 = 2 | _____
 Stainless AISI 316L – EN 1.4404 = 3 | _____

Actuator
 Electric, 24V = 1 | _____
 Electric, 230V = 3 | _____

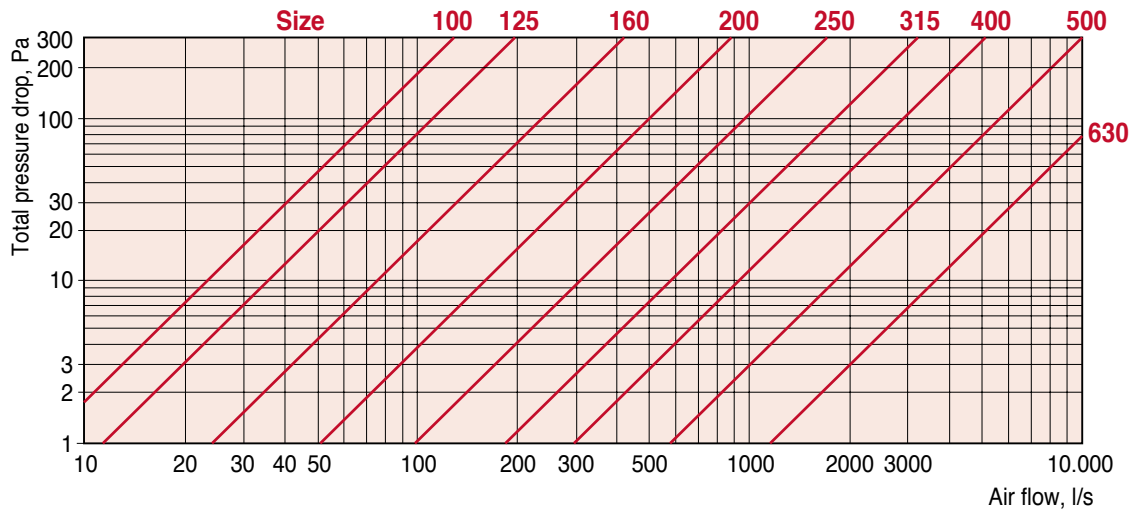


Dimensions and weight



Dimensioning diagram

The diagrams show the pressure drop for the damper installed in a duct.





Electrical data

(values in brackets refer to 230V)

Actuator type BF..

Dimensioning, max 10 VA (12,5 VA)

Operation time;

- motor opening, max ca 140 s

- spring return, max ca 20 s

Encapsulation class IP 54

Supply voltage 24V~ ±20%, 50/60Hz
 24V= ±10%
 (220-240V~ , 50/60Hz)

Ambient temperature -30° till +50°C

Safety temperature -30° till +75°C
 (24 hours guaranteed safety)

Trip temperature

for thermal sensor 72°C

End position contacts

- load ≤ 300 mW min 1 mA/5V=, max 100 mA/250V~

Applicable after exceeding the above values:

- load > 300 mW min 100 mA, max 3 A/250~

Noise level when opening .. ca 45 dB(A)

Noise level when closing ... ca 62 dB(A)

Actuator - damper sizes

Actuator BF is supplied to damper sizes Ø100-630 mm.

Wiring diagram

