

Bevent Rasch

- Cowls and Louvres -

BRTL

16/01/2018



Roof Inlet BRTL

- Sizes from Ø100 mm to Ø200 mm
- 50 mm insulation on the inside as standard, corresponding to fire class EI30 and with cleanable surface coating Protec
- Stands on a flat sheet
- Galvanized sheet steel as standard
- Available in powder coated finish corrosivity class C4



Quick facts

- Sizes from Ø100 mm to Ø200 mm
- 50 mm insulation on the inside as standard, corresponding to fire class EI30 and with cleanable surface coating Protec
- Stands on a flat sheet
- Galvanized sheet steel as standard
- Available in powder coated finish corrosivity class C4

Use

BRTL is intended for small circular rain hoods with socket connection 100-200 mm. There is 50 mm of insulation on the inside, corresponding to fire class EI30. The interior of the inlet is smooth sheet metal. The inlet stands on a flat sheet.

Specification

Example:

Roof Inlet

BRTL - 125 - 1 - 0

Size, see size table

Material:

Galvanized sheet steel = 1

Surface treatment:

Unfinished = 0

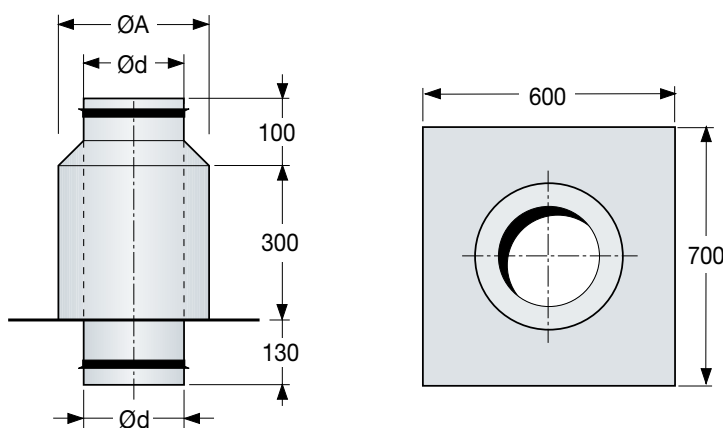
Powder coated C4 = 1*

* Colour code should be stated in plain text, see www.bevent-rasch.com

Material, surface treatment

The roof inlet is manufactured as standard in galvanized sheet steel and can also be supplied in a painted finish (C4) in any colour, see www.bevent-rasch.com

Dimensions



Size Ød	ØA	Weight kg
100	200	4
125	250	4,5
160	250	4,5
200	315	6,5

Cut-out size = Ød + 20 mm